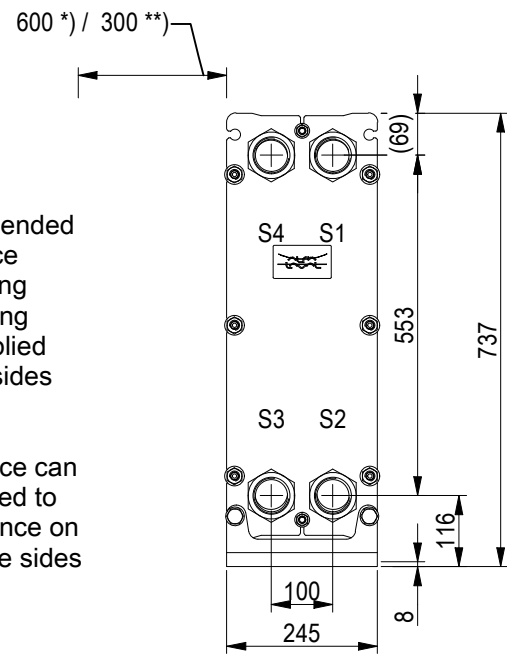


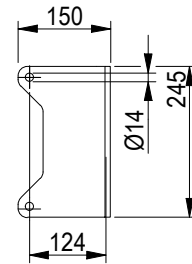
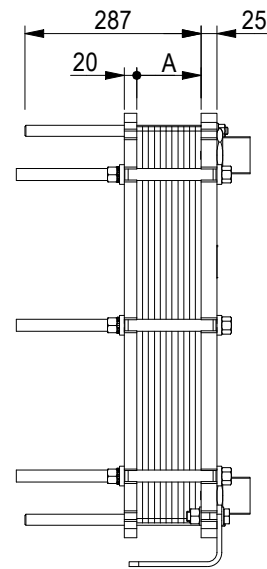
**FRAME PLATE**



\*) Recommended free space for opening and closing to be applied on both sides

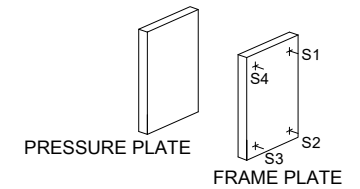
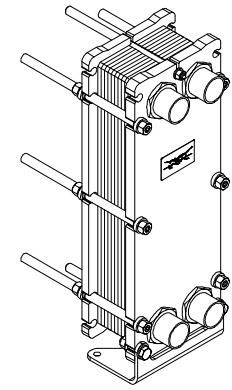
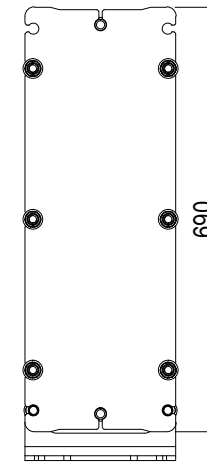
\*\*) Free space can be reduced to this distance on one of the sides

Space between pressure plate and supporting column should be kept free from fixed installations!



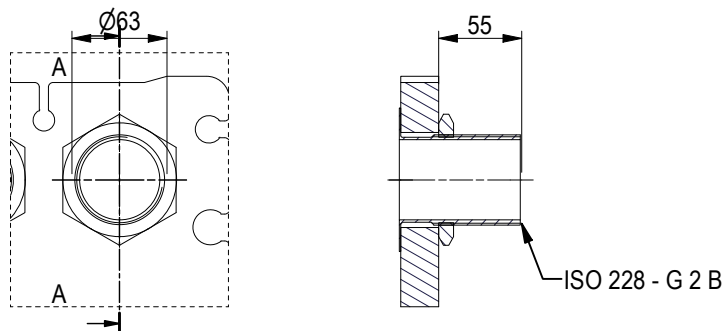
**PRESSURE PLATE**

(MOVABLE)



ISO 228 - G 2 B, ALLOY 316, 80 mm  
S1, S2, S3, S4

A-A:



All dimensions in millimeters (mm)

NO. OF UNITS

1

**APPROX. OUTER DIMENSIONS**

LENGTH	300 mm
WIDTH	260 mm
HEIGHT	700 mm

**APPROX. WEIGHTS**

NET WEIGHT, EMPTY	80.3 kg
WEIGHT FULL OF WATER	89.5 kg
PLATE MATERIAL	ALLOY 316
PLATE THICKNESS	0.5 mm
GASKET	NBRP Clip-on

CHANNEL ARRANGEMENT 1\*17 ML  
/ 1\*17 MH

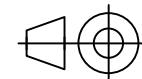


www.alfalaval.com

DRAWING  
GASKETED PLATE HEAT EXCHANGER

**T5-MFG**

PED Article 4.3



8240124435

Do not use this drawing for foundation bolting or piping layout

DATE 2/28/22  
REVISION 0